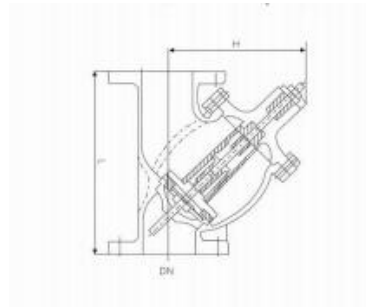


JLH41X Three-way stop valve multifunctional control valve



seleccionar Consulta DN 1.0/1.6 2,5°C

50	230	210
65	290	250
80	310	290
100	350	320
125	400	380
150	480	420
200	550	500
250	620	680
300	700	730
350	787	830