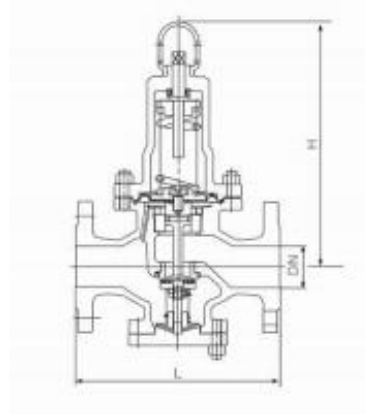


YW410-10

YW416-16

YW425-25



**seleccionar Consulta DN I h**

|     |     |     |
|-----|-----|-----|
| 15  | 108 | 105 |
| 20  | 117 | 105 |
| 25  | 127 | 115 |
| 32  | 140 | 120 |
| 40  | 165 | 165 |
| 50  | 203 | 165 |
| 65  | 216 | 190 |
| 80  | 241 | 250 |
| 100 | 292 | 274 |
| 125 | 330 | 350 |
| 150 | 356 | 368 |
| 200 | 495 | 395 |
| 250 | 622 | 433 |
| 300 | 398 | 475 |
| 350 | 787 | 520 |
| 400 | 914 | 570 |