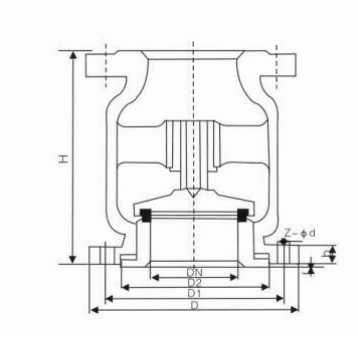


GB Flange vertical check valve



seleccionar	Consulta	PN	DN(mm)	h	D	D1	D2	B	F Z- φd
2.5MPa 4.0MPa	32	120	135	100	78	18	2	4-18	
2.5MPa 4.0MPa	40	130	145	110	85	18	3	4-18	
2.5MPa 4.0MPa	50	140	160	125	100	20	3	4-18	
2.5MPa 4.0MPa	65	160	180	145	120	22	3	8-18	
2.5MPa 4.0MPa	80	185	195	160	135	22	3	8-18	
2.5MPa 4.0MPa	100	210	230	190	160	24	3	8-23	
2.5MPa 4.0MPa	125	250	270	220	188	28	3	8-23	
2.5MPa 4.0MPa	150	300	300	250	218	30	3	8-25	
2.5MPa 4.0MPa	200	380	360	310	278	34	3	12-25	