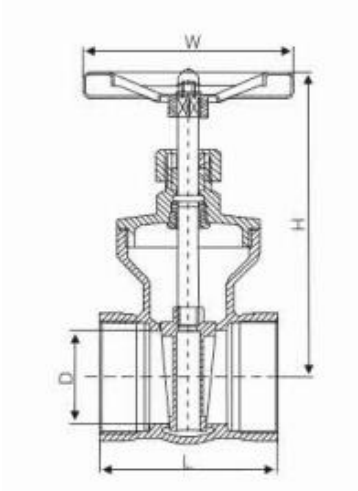


Z11W threaded gate valve



seleccionar Consulta DN(mm) l D h W

15	43	18	80	53
20	45	24	90	53
25	52	30	100	53
32	56	40	110	78
40	62	45	130	78
50	68	57	140	78
65	85	69	170	126
80	92	85	195	126
100	105	104	230	126